

## Additional Information

124 -3

Please read these instructions carefully before fitting your new light and retain for reference.

Unpack all components and compare to diagram overleaf. Lay out on a soft surface giving yourself room to work. Use these instructions referring also to GI 02v5 general instructions.

**Diagram 1:**

Remove "Top Hat" cable protector from the hub boss and firmly screw the centre stem into the hub.

**Diagram 2:**

Locate the fixed arm which is the centre of the bunch of 3. Swivel the outer 2 arms round to form equal angles between all 3.

**Diagram 3:**

Unscrew the side screws on the ceiling cup (illustrated in Diagram 5) to release the fixing bracket, use this as a template to drill the ceiling joist then screw the fixing bracket to the ceiling.

**Diagram 4:**

Support the fitting and connect the supply wiring as shown and also illustrated in GI 02v5. The terminal block in the ceiling cup should be covered in 2 layers of insulation tape overlapping the wires back over the outer insulation by 2cm. The "Ring Circuit" terminal block, if used, must also be covered in insulation tape ( 2 layers) in the same way overlapping the wires by 2cm. This terminal block may be separated from the 3 way block and insulated independently, but make sure it is covered in 2 layers of tape correctly.

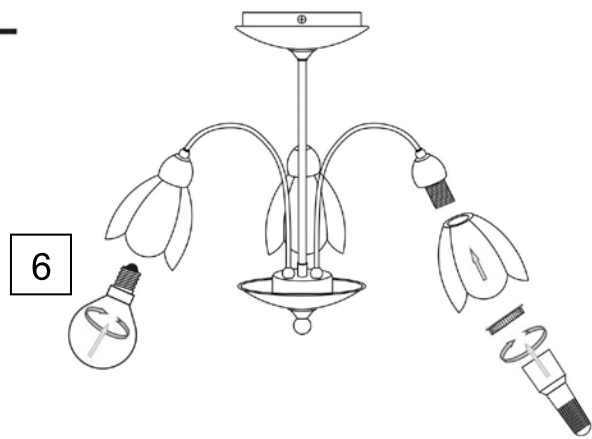
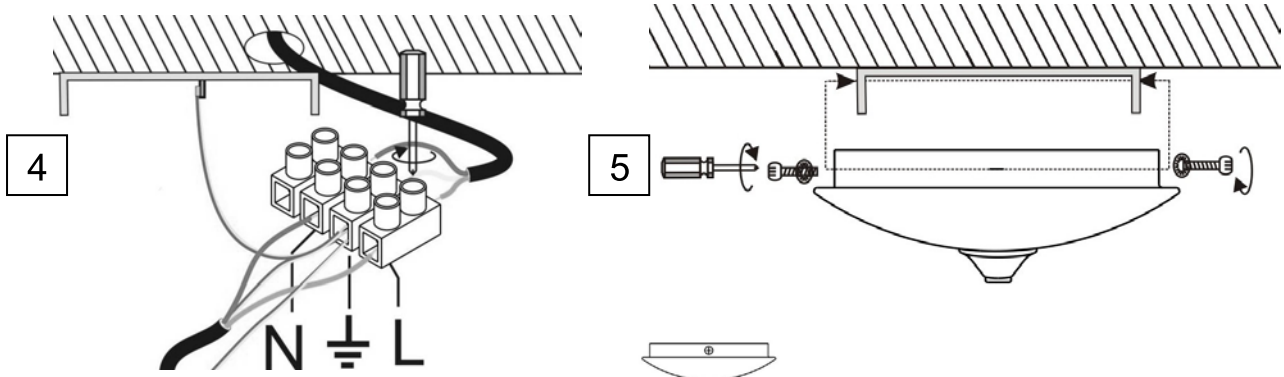
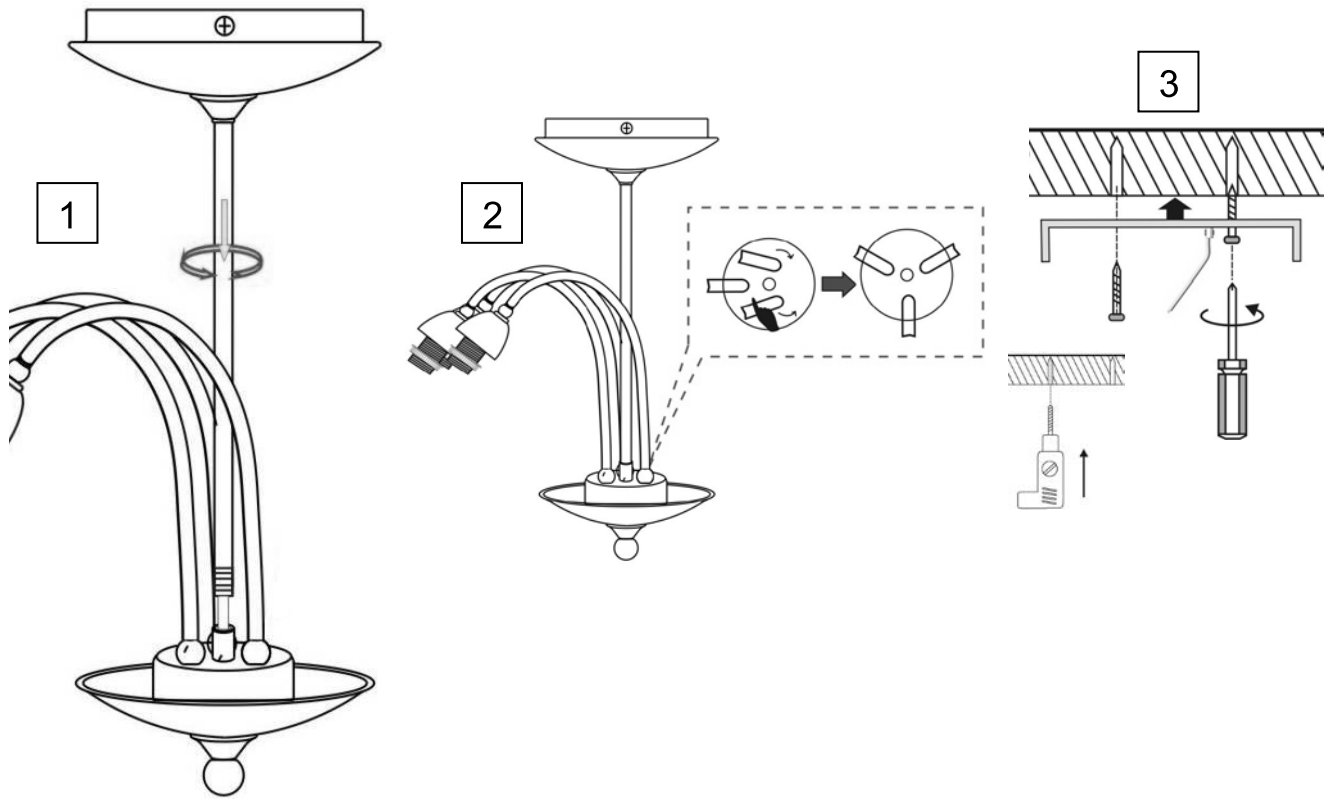
**Diagram 5:**


Attach the ceiling cup to the fixing bracket using the side screws illustrated.

**Diagram 6:**

Unscrew the shade rings from the lampholders, hold a shade up in place and screw the shade ring back on using the tool supplied. Take care not to over-tighten and crack the shade. Repeat for the other 2 lampholders.

Fit bulbs according to the Maximum Wattage label and reconnect your supply to try the pendant.  
Do not fit bulbs of higher wattage or different shape than stated on the label.





- (EN) Scan QR code for multi-language
- (FR) Scannez le code QR pour plusieurs langues
- (ES) Escanee el código QR para varios idiomas
- (PL) Zeskanuj kod QR dla wielu języków
- (DE) Scannen Sie den QR-Code nach mehreren Sprachen
- (IT) Scansiona il codice QR per multilingua